



Quality Wooden Children's Furniture and Accessories
Made in America • Established 1987
www.littlecolorado.com



WARNING: ADULT ASSEMBLY REQUIRED

WARNING: Assembly kit contains parts with sharp edges.

WARNING: Assembly kit contains parts with sharp points.

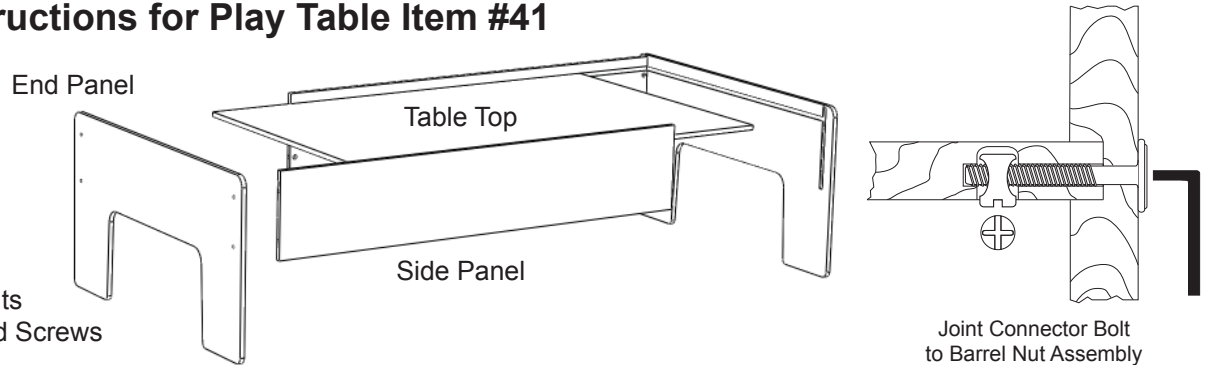
WARNING: Package contains plastic bags that present suffocation risks for children.

WARNING: Assembly kit contains small parts that present choking hazards for children.

Assembly Instructions for Play Table Item #41

Contents:

- 1- Table Top
- 2- Table Sides
- 2- Table Ends
- 2- Brackets
- 8- Barrel Nuts
- 1- Allen Wrench
- 8- Joint Connector Bolts
- 4-1/2" Flat Head Wood Screws



You will need a standard phillips head screwdriver to complete this assembly. An assistant will be very helpful.

1. Insert two of the Barrel Nuts into the two holes on one end of one Side Panel making sure that the slotted end of the Barrel Nut is facing out. To align the Barrel Nut you should be able to look into the smaller holes in the ends of the part and see the threaded openings. The Barrel Nuts can be rotated with a screwdriver to make sure they are lined up correctly.
2. Position the Side Panel into the vertical slot in the End Panel so that horizontal slots on both parts are aligned and screw in two of the joint connector bolts. Tighten each bolt using the Allen Wrench and then loosen two full turns. Now attach the other Side Panel to the same End Panel in the same way. Leave this assembly laying on a carpeted floor with both Side Panels sticking upward.
3. Select the side of the Table Top that you prefer to use for the top surface. Carefully locate the Table Top into the slots in the two Side Panels (preferred side up) and slide it into position.
4. Place the other End Panel into position on top of this assembly. Insert the remaining Barrel Nuts and Joint Connector Bolts. When you are certain that all the parts are fully seated in all the slots, tighten the four Joint Connector Bolts with the Allen Wrench and then loosen two full turns. Set the table on all four legs on a flat surface and tighten all eight bolts. (This is to ensure that the Table sits nice and level.)
5. Lay the table on its long side and move it to a nearby wall or otherwise support it from falling over on its top. Install the two brackets that connect the underside of the Table Top to the inside of the Side Panels. Screw the brackets into the pre-drilled holes in the top and center of the Side Panels using the 1/2" flat head wood screws. Now, push down on the topmost Side Panel to ensure that the Table Top is completely seated in the slots. While holding down pressure, screw the other side of the Bracket to the underside of the Table Top. Now attach the remaining Bracket to the other Side Panel in the same way. There are no pre drilled holes in the Table Top for these last two screws. (The purpose for these brackets is to keep the Table Top securely into the slots in the Side Panels. Please be careful that it is done properly.)

This table is not designed to support over 250 pounds weight, or to be left outside.

All of us at Little Colorado, LLC hope that you and your little ones enjoy this Play Table for many years. Please call us if you need any help in assembly.
 Little Colorado, LLC 4450 Lipan Street Denver, Colorado 80211
 Phone 303-964-3212 Fax 303-964-3213 www.littlecolorado.com